

Using in Monopod Mode

To change the operation from tripod mode to monopod mode, loosen the Elevation Lock Knob (1) and pull up on the head until the Center Column is free of the tripod body. Reverse this process to re-install the unit back into the tripod body.



Precautions

- Insure that all levers, handles, knobs and leg locks are properly tightened, and that all three legs are fully angled opened before use.
- Do not mount any camera directly onto the head mount screw located on the top of the tripod's center column. The screw may be longer than the tripod socket in your camera, and could possibly cause damage.
- Do not carry or transport the tripod with the camera equipment attached (as example but not limited to: over your shoulder or cradled in your arms).
- Do not Oil or Grease any part of the tripod.
- Do not use any solvents or thinners to clean your tripod. Use mild detergent and wipe dry with a soft, lint-free cloth only.
- Do not store or expose your tripod to excessive heat or cold or use close to any flame or fire.
- Do not exceed the load limit for this product.

SUNPAK LIMITED LIFETIME WARRANTY

This SUNPAK product has been carefully manufactured, accurately adjusted, inspected and thoroughly tested before shipment to assure you of the highest quality.

Should this SUNPAK product require service, we will repair or replace, at our option, any part or the product itself, which our examination shows to be defective in material or workmanship. This warranty does not apply to wear and tear associated with the normal use of the product. This warranty is non-transferable.

Repairs will be made to the product at no charge, under the terms of the warranty as stated above, only when accompanied by a dated and itemized bill of sale and nominal handling charge.

Be certain to follow all assembly and/or operating instructions with this product. This warranty is not valid if the product has been misused or damaged in any way that is beyond our control or through normal wear and tear associated with use. This warranty applies only to the product and we are not responsible in any way for losses, damages or any inconvenience caused by equipment failure.

Some states do not allow the exclusion or limitation of consequential damages, so the above limitation or exclusion may not apply to you. This warranty gives you specific legal rights and you may have other rights which may vary from state to state.

Should service be required, the product should be carefully packed (in the original packaging if possible) and sent, prepaid and insured, along with a check or money order for \$9.95 (shipping and handling), to the address listed below. A note briefly describing the nature of the defect should also be enclosed to expedite handling.

Proof of purchase and payment for shipping and handling must be included for warranty repairs.

OWNER'S RECORD

Please complete this section and retain with your original bill of sale for your records.

Purchase Date _____

Model _____

Dealer's Name _____

Address _____

City _____

State _____ Zip Code _____

ToCAD America Inc.

Sunpak Tripod Division
53 Green Pond Road
Rockaway, NJ 07866
973-627-9600
www.tocad.com

QUANTARAY by SUNPAK[®] QSX 7001™

Operating Instructions

Congratulations on the purchase of your new SUNPAK tripod. Your tripod has been designed to be a sturdy, rugged, and dependable product and will provide you with many years of reliable service.

Please spend a few moments reviewing these instructions, so that you can take full advantage of your tripod's features and capabilities.



Cat. no. 29-166-0785

Specifications (Tripod Mode)

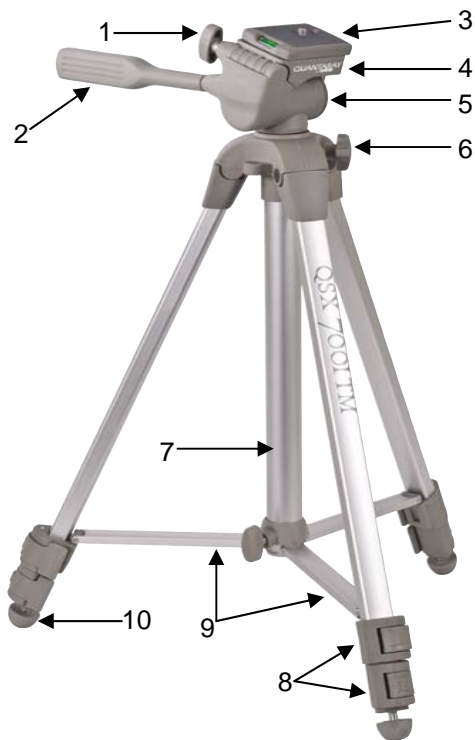
Folded Length	22 in.	(56 cm)
Maximum Height	58 in.	(147 cm)
Minimum Height	21 in.	(53.3 cm)
Weight	3 lbs.	(1.4 kg)
Load Capacity	5.5 lbs.	(2.5 kg)

Specifications (Monopod Mode)

Extended Height	63 in.	(160 cm)
Minimum Height	15.8 in.	(40 cm)

Tripod Components

1. Vertical Tilt Lock Knob
2. Twist Pan/Tilt Locking Handle
3. Quick Release Plate With Locking Lever and Bubble Level
4. 3-Way Panhead
5. Panning Lock Knob (Not Visible)
6. Elevation Lock Knob
7. Lift and Lock Center Column
8. Flip Lock Leg Locks
9. Leg Brace with Locking Collar
10. Rubber Feet with Retractable Leg Spike



Quick Release Platform

Move the Quick Release Locking Lever outward until it stops and remove the Quick Release Plate by lifting upward. The plate has a threaded $\frac{1}{4}$ " x 20 camera mounting screw for camera attachment.

Position the plate so that the camera mounting screw aligns with the matching receptacle on your camera or camcorder and attach, using the camera mounting screw. Move and hold open the Quick Release Lock Lever and with the camera tilted slightly down, slide the Quick Release Plate back into position. After doing so, secure the platform using the Quick Release Locking Lever by pressing firmly until it stops.



Using the 3-Way Panhead

For panning and tilting, loosen the Pan and Tilt Handle (1) and the Panning Lock Knob (2), by turning both counterclockwise. Tilt the Panhead as desired and retighten both by turning clockwise or leave loose for panning.

To change the camera format from horizontal to vertical, loosen the Vertical Lock Knob (3) and rotate the camera platform 90 degrees to the left to its vertical position. Retighten the Vertical Tilt Lock Knob.

Height Adjustments (Tripod Mode)

Your Quantaray QSX 7001TM Tri-Monopod is equipped with a Lift-n-Lock Center Column for precise height adjustments.

To raise or lower the center column, loosen the Elevation Lock Knob. Grasp the tripod head and lift to the desired height. Retighten the Elevation Lock Knob to secure.

Note: Never release your camera until the Elevation Lock Knob is securely retightened.

Height Adjustments (Monopod Mode)

To deploy the monopod, twist the leg lock located at the foot of the monopod counterclockwise and gently pull on the leg segment to the desired length. To secure in position, twist the leg lock clockwise. Not properly securing the twist leg lock may cause the monopod to retract unexpectedly and result in damage to your camera and monopod.



Opening and Closing the Tripod

Your QSX 7001TM is equipped with metal Center Leg Braces with Locking Collar for maximum stability and strength.

When opening the tripod, make certain that the Leg Brace Locking Knob is loosened. All three leg braces should be extended by gently pressing down on any one leg brace until it stops. To secure, retighten the knob. To close the tripod, reverse the sequence.

Extending the QSX 7001TM Tripod Legs

Each leg of the QSX 7001TM has separate leg segments and each segment may be withdrawn as needed. This permits setting your equipment at a comfortable height and can be very useful when positioning your tripod on uneven terrain.

To deploy any leg extension, flip the Leg Lock Lever outwards and gently pull on the leg to extend. To secure, press the Leg Lock until it locks in place. Not properly securing a Leg Lock may cause the tripod leg to retract unexpectedly and result in damage to your camera and tripod.